

XL7 OCS

The World's Most Connected All-In-One Controller

Provides twice the connectivity of all other products in its class.



- High performance logic controller with online programming capability
- 7" WVGA colour touchscreen with 1000 nits of brightness
- Built-in digital & analogue I/O with two 500 kHz high-speed counters
- Dual 10/100 Ethernet for factory and world-wide net-working
- Two CAN ports for fieldbus flexibility
- USB 2.0 ports for programming & FLASH drive support
- 32GB microSD slot for virtually unlimited data Logging

A Controller for a Wide-Range of Applications

The XL7 was designed around a high-resolution, wide aspect ratio color touchscreen with 1000 nits of LED backlighting. The display benefits end-users by providing high outdoor visibility and allowing the XL7 to be used in a variety of ambient lighting conditions.

In addition to exceptional display performance, the XL7 contains a powerful logic engine with built-in digital and analogue I/O and online programming capability.

Dual Ethernet for Connectivity and Flexibility

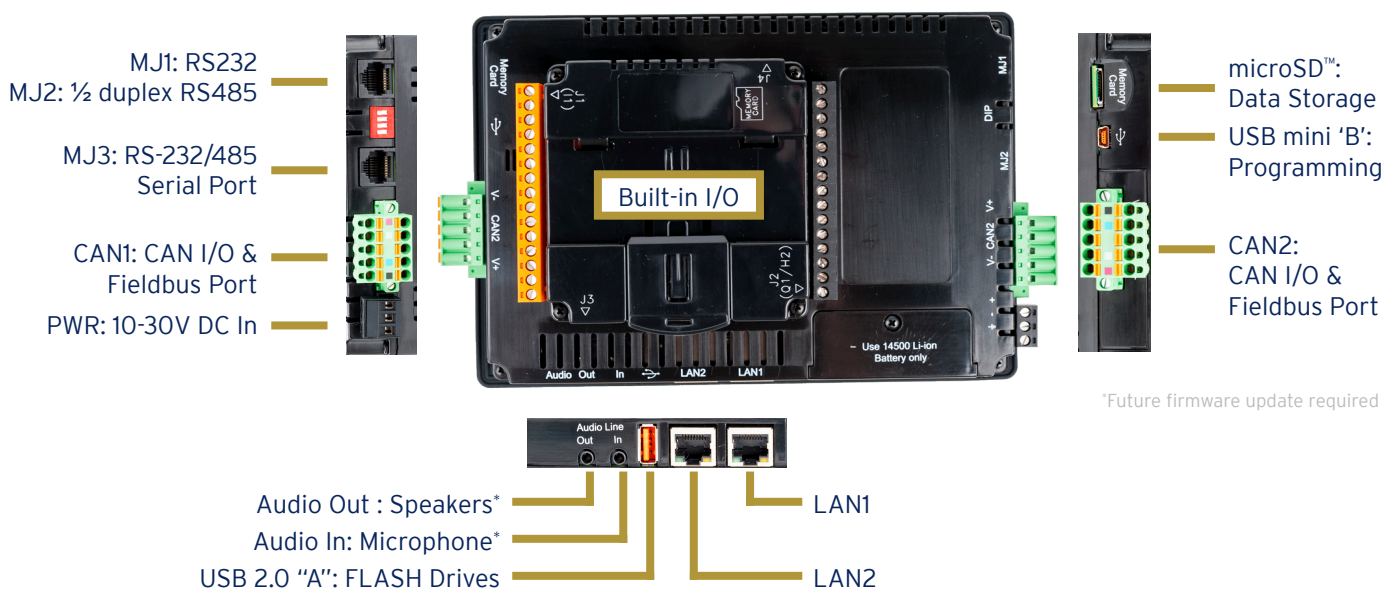
The XL7 features two high-speed counters and dual 10/100 Ethernet ports, which adds flexibility when linking to factory networks like Modbus/TCP and Ethernet/IP - while also performing standard functions like web serving, FTP file transfer, e-mail and protocol support.

Two CAN Ports Put Your Application in Motion

The XL7 includes two CAN ports. One port utilises CsCAN for Distributed Plug and Play I/O over a 500m distance. The second port provides support for CANopen and J1939 for mobile applications.

General Specifications		Control & Logic Specifications	
Required Power (steady state)	150mA @ 24Vdc	Control Language Support	Adv. Ladder & Full IEC 1131-3
Primary Power Range	10-30Vdc	Logic Size (scan rate)	1MB, max (0.013mS/K)
Relative Humidity	5 to 95% Non-condensing	Online Programming	Supported in Adv. Ladder
Operating Temp	-40 to +60°C	I/O References Supported	4096 Digital & 1024 Analogue
Storage Temp	-40 to +70°C	General Purpose References	50,000 Words & 32,768 bits
Display Specifications		High-speed I/O Specifications	
Display Type	7" TFT Transmissive Colour	Number of Counters (size)	2 (32-bits ea.)
Resolution (colours)	800x480 (16-bit)	Maximum Frequency	500kHz each
Screen Memory (screens)	27MB (1023)	Modes Supported	
Backlight Type (life)	White LED (50,000 hours)	Totalizer, Quadrature, Pulse & Frequency Measurement	
Screen Brightness	1000 nits (cd/m ²)	2 Position Controlled Outputs (1 ON/OFF setpoint/output)	

XL7 Rear View / Connections



XL7 Model Numbers

Part #	Description
HEXT391C100	No Built-in I/O
HEXT391C112	12 DC In, 6 Relay Out, 4 – 12-bit Analogue In
HEXT391C113	12 DC In, 12 DC Out, 2 – 12-bit Analogue In
HEXT391C114	24 DC In, 16 DC Out, 2 – 12-bit Analogue In
HEXT391C115	12 DC In, 12 DC Out, 2 – 14/16-bit Analogue In (mA/V/Tc/mV/RTD), 2 – 12-bit Analogue Out
HEXT391C116	12 DC In, 12 DC Out, 6 – 14/17-bit Analogue In (mA/V/Tc/mV/RTD), 4 – 12-bit Analogue Out

Expansion & Remote I/O Options



SmartRail Modular I/O

The best choice for applications where a high concentration of distributed I/O is needed. Features Ethernet, CAN and Profibus