

ZX Series

Fastest Scan Rates with 4x the Memory

A powerful All-In-One controller with vibrant color graphics, embedded Ethernet and a variety of available screen sizes, 7", 15" and 22".



Online Programming

Plug and Play with Cscape Software

Dual Ethernet

Dual CsCAN

USB Ports, Removable
FLASH Drives for data
logging, field application
updates, recipe
management and more

RS232 & RS4785
serial ports maintain
connectivity with serial
devices existing within
factory environments

All Metal Construction

High-Resolution Graphics Available in Three Sizes

The 22" HD (1920x1080) model (ZX1152) is the largest all-in-one controller ever made. It's resolution and the sheer size of the screen makes it a great fit in control rooms and other applications where the volume of displayed information is important. The 15" (ZX752) is a more traditional XGA (1024x768) touch screen, making it at home in most factory environments. The 7" (ZX452), wide-VGA model (800x480) produces over 800 nits of brightness. This allows the screen to remain viewable in a wide-range of ambient light conditions. All ZX models include a VGA output port, supporting an external display mirroring the main screen.

First-Class Communications

The ZX supports HTTP web pages, FTP file transfer, Modbus/TCP Master and Modbus/TCP slave, and all other Horner standard protocols. A second Ethernet port is currently dedicated to SmartRail Ethernet I/O, a highly expandable, modular I/O system. This keeps the I/O traffic completely segregated from any SCADA, ERP or internet related traffic.

Dual CsCAN for High-Speed Expansion & Remote I/O

The XL7 includes two CAN ports. One port utilizes CsCAN for Distributed Plug and Play I/O over a 500m distance. The second port provides support for CANopen and J1939 for mobile applications.

Robust Construction with Multiple Installation Options

All ZX units are constructed with a strong, all-metal chassis. They are typically mounted in a control panel, and support IP65 environments. For further flexibility, they also feature a VESA mount hole pattern. This allows them to support alternative mounting methods such as wall-mounting or even on an articulating arm. These alternative methods might be a good choice for a ZX control room application using remote I/O.

ZX Series Specifications



HE-ZX452



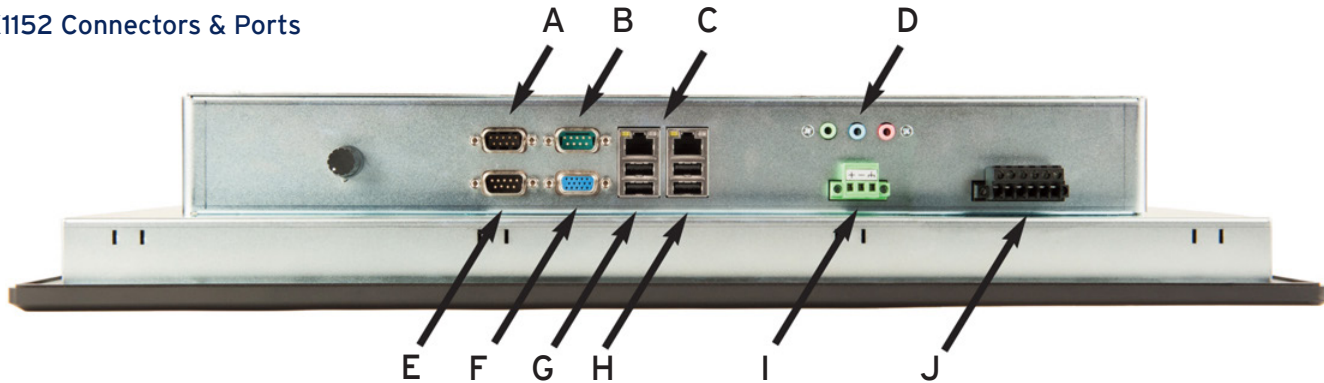
HE-ZX752



HE-ZX1152

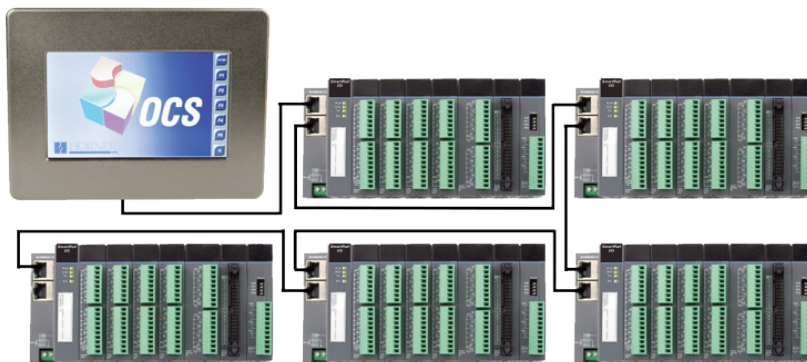
App. Programming Environment	Cscape (logic plus screen development-ladder or full IEC-1131)		
Display Size	7" WVGA (800x480)	15" XVGA (1024x768)	22" HD (1920x1080)
Aspect Ratio	15:9	4:3	16:9
Brightness	800 nits	350 nits	300 nits
CompactFLASH Slot / USB Ports	YES	YES	YES
Ladder Logic Memory	1 MB	1 MB	1 MB
Web Server & FTP Server	YES	YES	YES
Video Input	YES	YES	YES
Input Power	10-30Vdc, 72W		
Environment	0 to +45C (operating), -20 to +60C (storage), 30 to 90% RH (non-condensing), IP65		

ZX1152 Connectors & Ports



A	Port 1 (RS 232)	E	Port 3 (RS 232)	I	DC Power In (10-30Vdc)
B	Port 2 (RS 485)	F	Video Out	J	CAN Ports
C	Ethernet 2 & Ethernet 1	G	USB B (2 ports)		
D	Audio In/Out	H	USB A (2 ports)		

ZX I/O Expansion



I/O Expansion Using SmartRail

The ZX supports a variety of I/O. It includes dedicated CsCAN and Ethernet ports for SmartRail I/O - up to 16 bases each.

